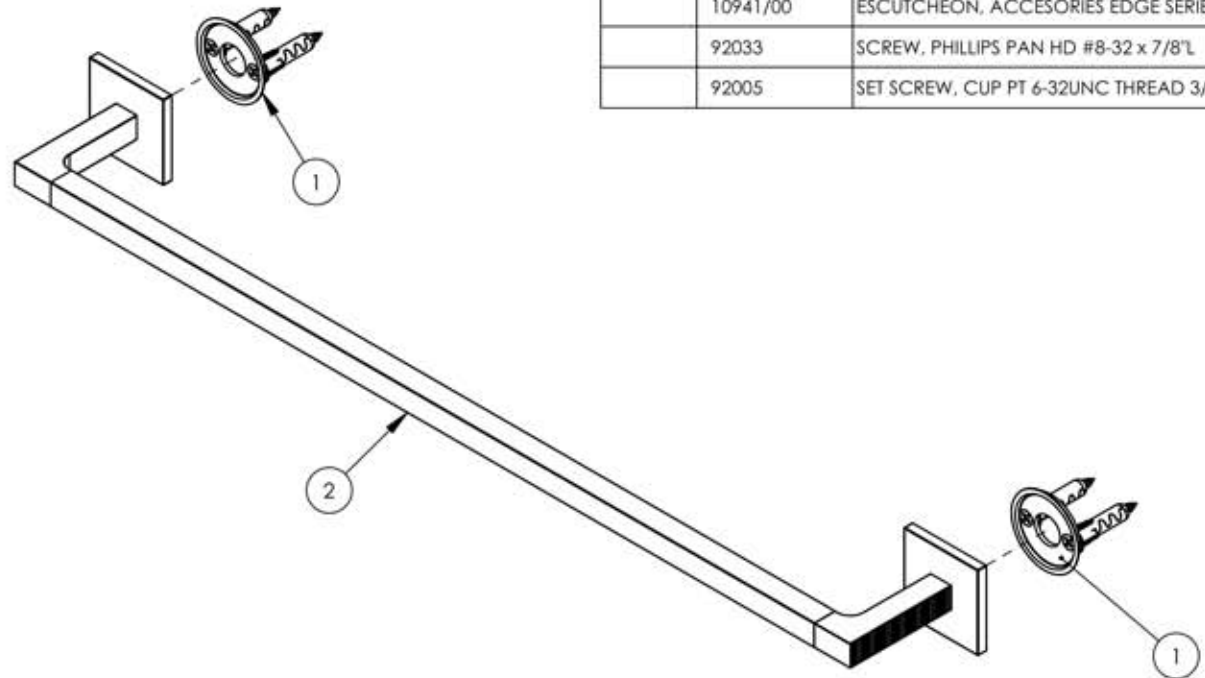


ITEM NO.	PART NUMBER	DESCRIPTION	QTY.
1	2-098	MOUNTING KIT FOR MIX/EDGE SERIES	2
	30042	WALL MOUNTING PLATE	1
	92043	SCREW, FLAT HD #10 SIZE W/ #2 PHIL DRIVE, 2"L	2
	92046	ANCHOR SCREW 3/8" HOLE, TOGGLER AF10	2
2	3-369	ASSY. 24" TOWEL BAR, STRIA SERIES	1
	2-139	SUB ASSY. 24" TOWEL BAR, STRIA SERIES	1
	10990/00	TUBE SQUARE 22.5"L MIX	1
	11226/00	POST, ACCESSORIES STRIA SERIES	2
	10941/00	ESCUTCHEON, ACCESORIES EDGE SERIES	2
	92033	SCREW, PHILLIPS PAN HD #8-32 x 7/8"L	2
	92005	SET SCREW, CUP PT 6-32UNC THREAD 3/16"L	2



A

B

C

D

E

ZONE	REV.	DESCRIPTION	DATE	APPROVED
REVISIONS				
1261 LOGAN AVENUE COSTA MESA, CALIFORNIA 92626 PHONE: 714.361.4800 FAX: 714.617.3120		PHYLTRICH®	PROPRIETARY AND CONFIDENTIAL <small>THE INFORMATION CONTAINED IN THIS DRAWING IS THE SOLE PROPERTY OF RSS MANUFACTURING. ANY REPRODUCTION IN PART OR AS A WHOLE WITHOUT THE WRITTEN PERMISSION OF RSS MANUFACTURING IS PROHIBITED.</small>	
Defining Luxury Since 1959				

NEXT ASSY		USED ON		INTERPRET GEOMETRIC DIMENSIONING & TOLERANCING IN ACCORDANCE WITH ASME Y14.5-2009 & ASME Y14.41-2003 STANDARDS. UNLESS OTHERWISE SPECIFIED, DIMENSIONS ARE IN INCHES. TOLERANCES ARE: FRACTIONS ±1/64" DECIMALS X.X: ±.1 ANGULAR ±.5° X.XX: ±.01 X.XXX: ±.005			24" TOWEL BAR, STRIA SERIES			
APPLICATION		MATERIAL		NAME		DATE		SIZE	ASM/PRT NO.	REV
FINISH		DRAWN		LLO		12/30/2014		A	291-71/00	-
DO NOT SCALE DRAWING		CHECKED		GRE				SCALE: 1:4	WEIGHT: lbs.	SHEET 1 OF 2

5

4

3

2

1